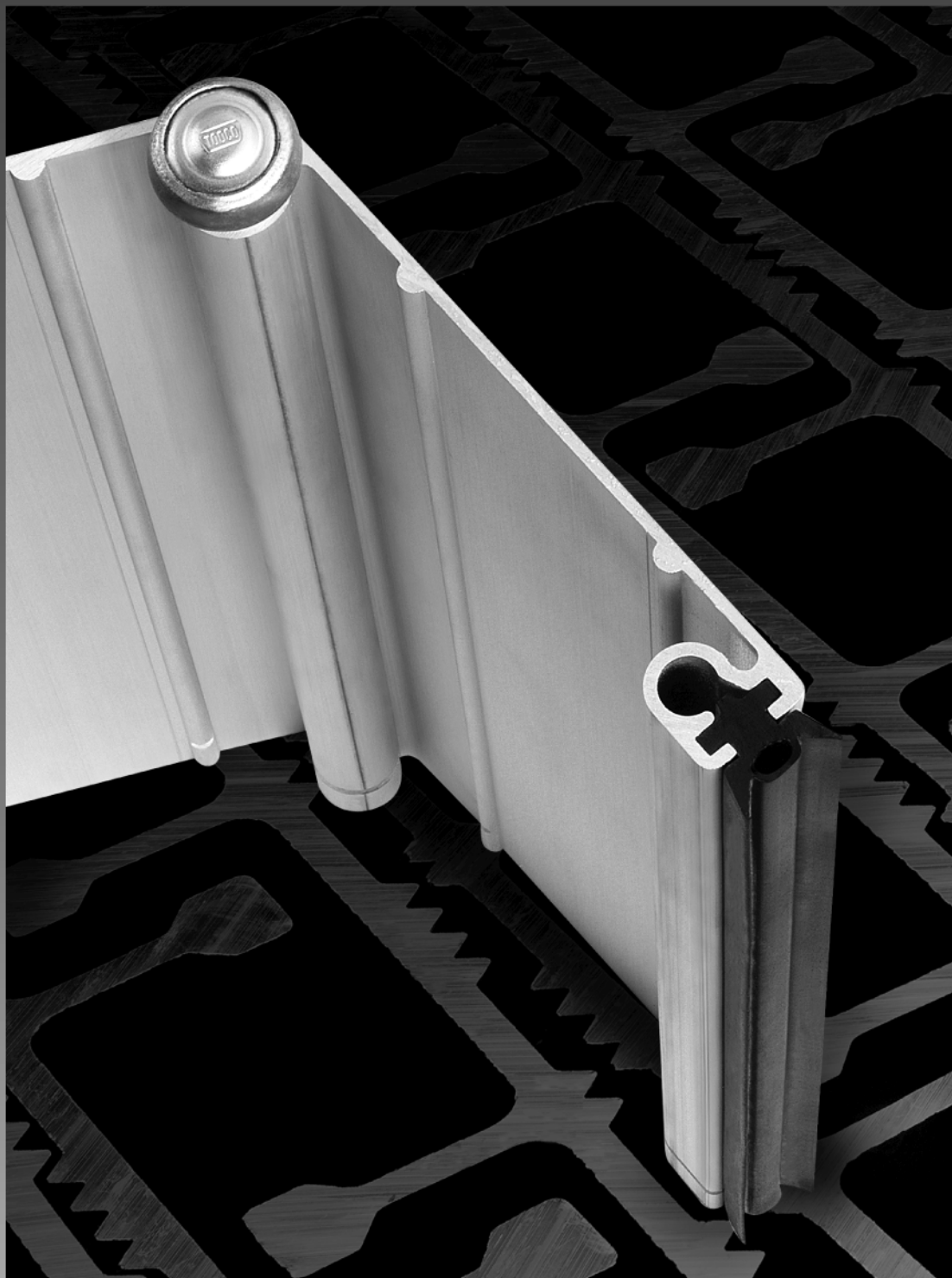


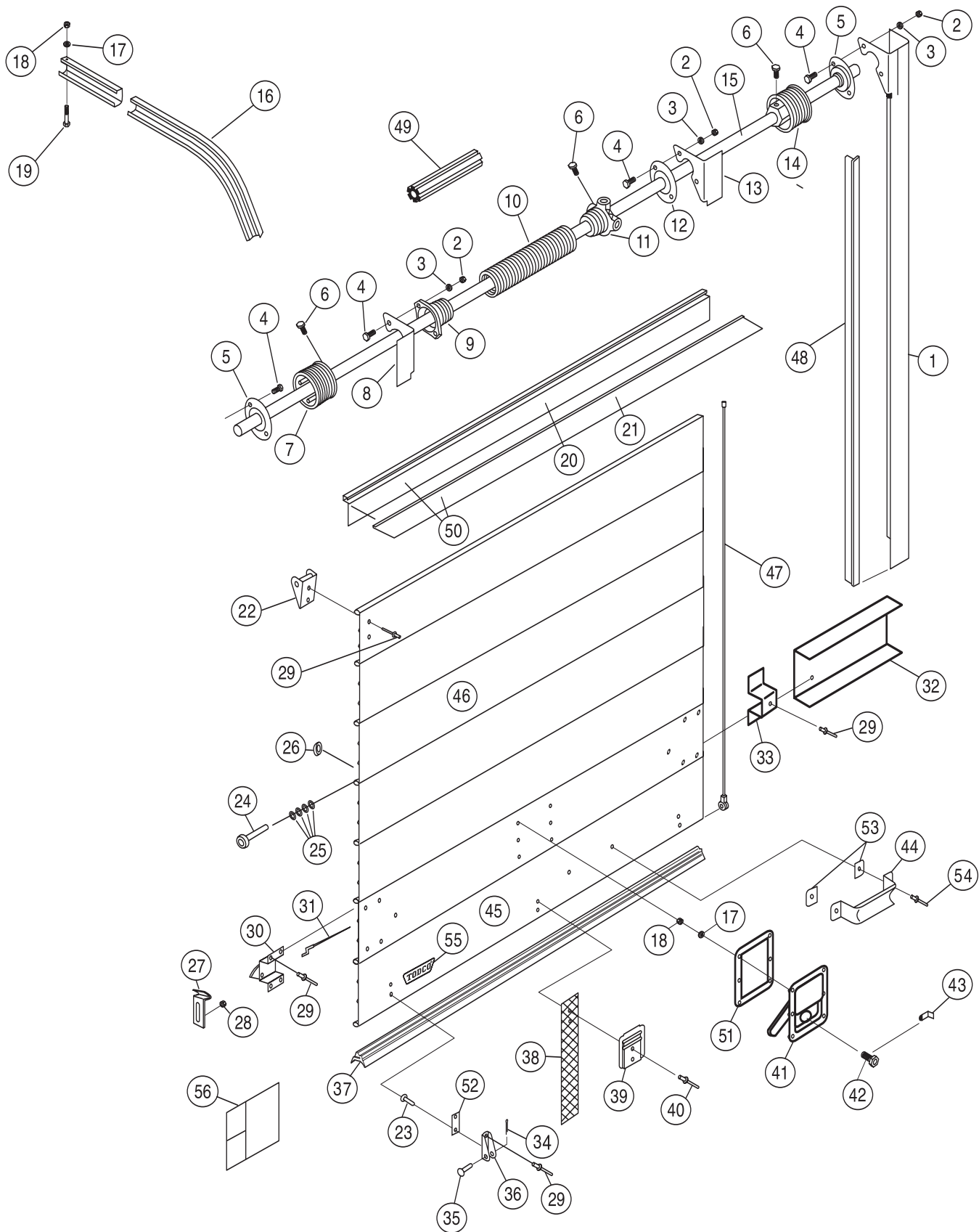
**CITYCARGO™
SINGLE-WALL ALUMINUM DOOR**

PARTS





CITY CARGO™



STANDARD PARTS LIST

Item	Part No.	Description
1	49852-1	Vertical Track Assembly – L.H. (Curbside)
	49852-2	Vertical Track Assembly – R.H. (Roadside)
2	80352-518	Hex Nut – 5/16" NC
3	80322-319	Lock Washer – 5/16"
4	89186-3	Hex Head Bolt – 5/16" NC X 7/8"
5	51038	Bearing Assembly
6	80300-2414	Hex Head Set Screw – 3/8" NC X 7/8"
7	59129-2	Cable Drum – R.H. (Roadside) To 105" Door Height
	59157-4	Cable Drum – R.H. (Roadside) 105" To 120" Door Height
8	51036-2	Spring Anchor Bracket
9	51043	Spring Anchor Plug – 1-3/4" I.D. Spring
	59024	Spring Anchor Plug – 2-1/2" I.D. Spring
10	51042*	Spring – 1-3/4" I.D.
	59031*	Spring – 2-1/2" I.D.
11	59158	Spring Winding Plug – 1-3/4" I.D. Spring
	59159	Spring Winding Plug – 2-1/2" I.D. Spring
12	59083	Bearing Assembly – Support Bracket
13	51036-1	Support Bracket – L.H. (Curbside)
14	59129-1	Cable Drum – L.H. (Curbside) To 105" Door Height
	59157-3	Cable Drum – L.H. (Curbside) 105" To 120" Door Height
15	59290	Counterbalance Shaft
16	49702-1	Horizontal Track – L.H. (Curbside)
	49702-2	Horizontal Track – R.H. (Roadside)
17	80322-255	Lock Washer – 1/4" NC
18	80352-420	Hex Nut – 1/4" NC
19	80105-414	Hex Head Bolt – 1/4" NC X 1-3/4"
20	70288	Retainer – Head Seal (Panel Mounted)
21	69718	Head Seal (Panel Mounted)
22	61355	Top Fixture
23	69409-2	Rivet – 1/4" X 3/8" LG.
24	61174	Roller
25	80020	Spacer Washer – Roller
26	80302-3030	Washer – Panel Lock – 15/32" ID X 15/16" OD
27	69951	Lock Catch

Item	Part No.	Description
28	89155	Flange Nut – 5/16" NC
29	89232-0000	Blind Rivet – 1/4" DIA. X .126/.250" Grip Range
30	39550-1	Latch Assembly – Left Hand
	39550-2	Latch Assembly – Right Hand
31	39545	Cable Assembly – 2-Point Lock
32	39513	Lock Cover
33	39570	Lock Cover Bracket
34	80401-316	Cotter Pin – 3/32" DIA.
35	61026	Cable Anchor Pin
36	61204	Cable Anchor Bracket
37	69242	Bottom Seal
38	80844-1408	Pull Strap – 30" Straight Standard (44" LG.)
39	69832	Pull Strap Retainer
40	89299-2000	Pop Rivet – 1/4" DIA. X .376/.500" Grip Range
41	70275	Paddle Handle Lock
42	69799	Lock Cylinder – Less CAM
43	70291	CAM – Lock Cylinder
44	61401	Lift Handle
45	39323**	Bottom Panel
46	39324	Intermediate Panel – 5-1/2" Height
	39325	Intermediate Panel – 6-1/2" Height
47	51044	Cable Assembly – 110" LG. – To 100" Door Height
	59004	Cable Assembly – 115" LG. – 100" To 105" Door Height
	59003	Cable Assembly – 130" LG. – 105" To 120" Door Height
48	69922	Side Seal – Pair
49	59092	Filler Plug – 2-1/2" I.D. Spring
50	70289	Head Seal Assembly (Panel Mounted)
51	70179	Seal – Paddle Handle Lock
52	70249	Seal – Cable Anchor Bracket
53	70251	Seal – Lift Handle
54	89232-1000	Blind Rivet – 1/4" DIA. X .251/.375" Grip Range
55	69793	Nameplate
56	70318	Safety Notice Warning Sticker

* Give spring length and number of coils in 10" of spring length.

** Bottom panel includes bottom seal and cable anchor brackets. When ordering parts, be sure to give door serial number, part number, and description. Door serial number can be found on a metal tag attached to the inside of door. Left hand and right hand determined by standing inside looking out.

MAINTENANCE GUIDE

Lubricate with TODCO FG Lube all roller bearings and stems, (lubricate bottom roller stem through holes in bottom fixture), counterbalance bearings, center



and end hinges, and moving lock parts. Wipe dirt from tracks. Spray horizontal tracks with TODCO FG Lube or light oil (never grease). Spray counterbalance

with TODCO FG Lube to prevent rusting. REFER TO SAFETY INSTRUCTIONS STICKER ON DOOR AND OWNER'S MANUAL FOR OPTIONS AND FOR OTHER IMPORTANT SAFETY AND MAINTENANCE ITEMS.



COUNTERBALANCE ASSEMBLIES

Every TODCO counterbalance assembly has been manufactured to meet a custom door specification. TO HELP ENSURE THAT YOU RECEIVE THE CORRECT REPLACEMENT PART OR ASSEMBLY, PLEASE PROVIDE THE DOOR SERIAL NUMBER. This can be found on the metal tag attached to the inside of the door.

If the serial number is unavailable, we must have the following information:

- 1) Inside diameter (I.D.) of the torsion spring.
- 2) Length of the torsion spring.
- 3) Number of coils within 10 inches of the torsion spring.
- 4) Length of the shaft.
- 5) Part number on each of the two (2) cable drums.



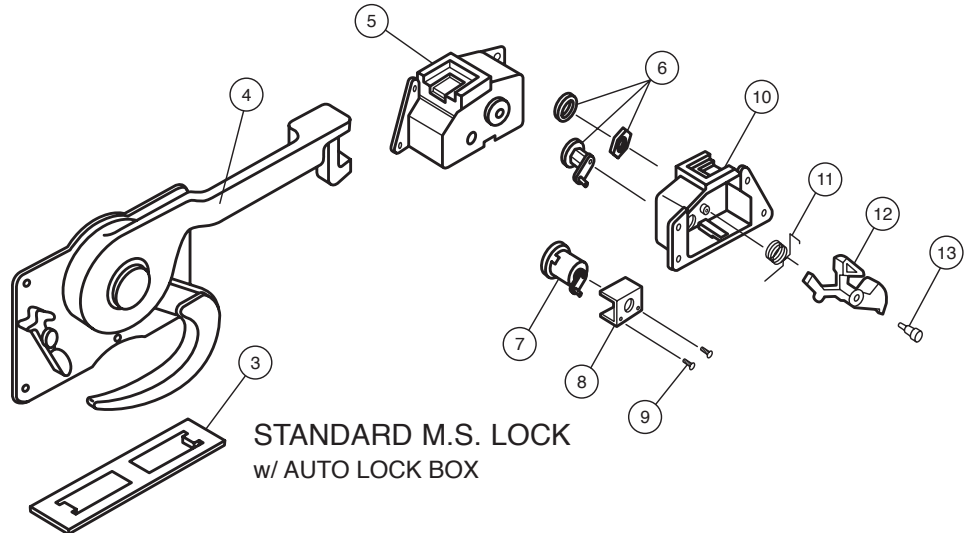
LOCK OPTIONS

ORDERING INSTRUCTIONS

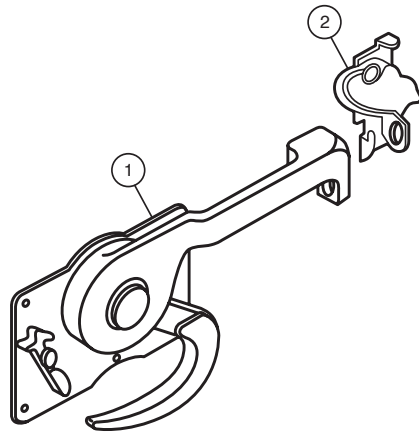
When ordering parts, be sure to include the part name and number and your door's SERIAL NUMBER. See metal tag attached to the inside of the door (standing inside unit facing the door).



Orders for replacement door panels should specify whether top, intermediate or bottom panel is required (panel width, height and thickness dimensions should be indicated).



**STANDARD M.S. LOCK
w/ AUTO LOCK BOX**



**STANDARD MAXIMUM
SECURITY (M.S.) LOCK**

For new orders and order inquiries:

call: (740) 383-6376

fax: 1-800-24-TODCO
(800-248-6326)



1332 Fairground Road East
Marion, Ohio 43302
(740) 383-6376

NOT JUST TOUGH...TODCO-TOUGH

www.todco.com

Call for our complete parts lists of locks, or view this list on our web site.

Item	Part No.	Description
1	69571	Maximum Security Lock – Standard
	70223	Maximum Security Lock – Offset Lever Arm
2	69572	Keeper Assembly
3	70093	Catch Plate – MS Lock
4	69634	Lock Assembly – Auto Box – Standard
	70220	Lock Assembly Auto Box – Offset Lever Arm
5	69714-1	Auto Housing Assembly – Standard Cylinder
	69714-2	Auto Housing Assembly – Removable Core Cylinder (Less Core & Keys)
6	69711	Lock Cylinder – Standard
7	69011	Lock Cylinder – Removable Core (Less Core & Keys)
8	69670	Retainer – Removable Core Cylinder
9	80288-1408	Round Head Bolt - #10 x 24
10	69709-1	Housing – Standard Cylinder
	69709-2	Housing – Removable Core Cylinder
11	69713	Spring
12	69710	Catch
13	69669	Shoulder Bolt

TODCO reserves the right to change product specifications at any time without notice.