

# 3/4" DRYFREIGHT DOOR

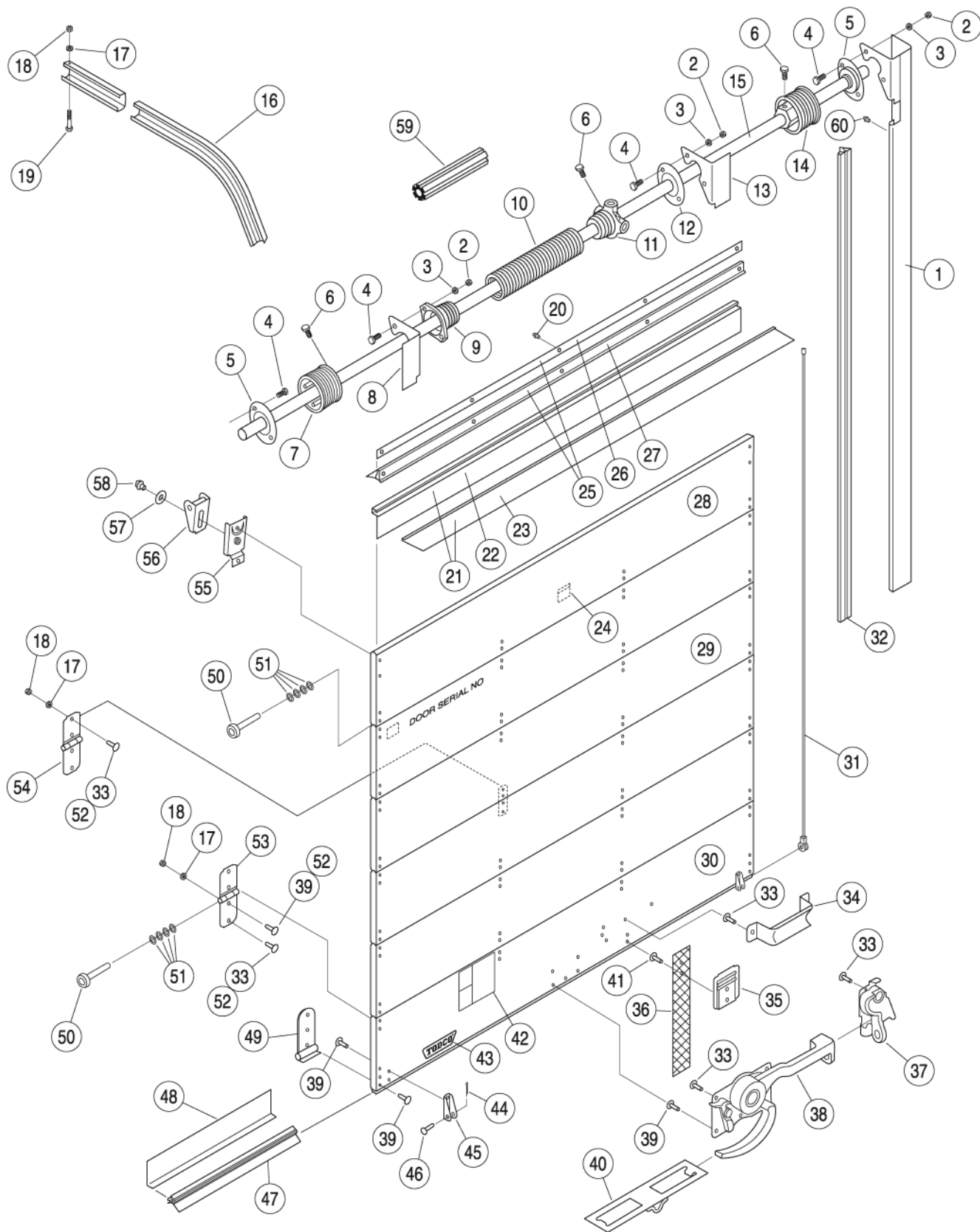
PARTS



**TODCO**<sup>®</sup>



# 3/4" DRYFREIGHT DOOR (ALUMINUM or PREMIUM-GRADE WOOD)



# STANDARD PARTS LIST

Item	Part No.	Description
1	49014-1	Vertical Track Assembly - L.H. (Curbside)
	49014-2	Vertical Track Assembly - R.H. (Roadside)
2	80352-518	Hex Nut - 5/16" NC
3	80322-319	Lock Washer - 5/16"
4	89186-3	Hex Head Bolt - 5/16" NC x 7/8"
5	51038	Bearing Assembly
6	80300-2414	Hex Head Set Screw - 3/8" NC x 7/8"
7	59129-2	Cable Drum (Alum) - R.H. (Roadside) to 105" Dr. Hgt.
	59157-4	Cable Drum (Alum) - R.H. (Roadside) 105" to 120" Dr. Hgt.
8	51036-2	Spring Anchor Bracket
9	51043	Spring Anchor Plug 1-3/4" I.D. Spring
	59024	Spring Anchor Plug 2-1/2" I.D. Spring
10	51042*	Spring - 1-3/4" I.D.
11	59031*	Spring - 2-1/2" I.D.
	59158	Spring Winding Plug 1-3/4" I.D. Spring
12	59159	Spring Winding Plug 2-1/2" I.D. Spring
	59083	Bearing Assembly - Support Bracket
13	51036-1	Support Bracket - L.H. (Curbside)
14	59129-1	Cable Drum - (Alum) L.H. (Curbside) to 105" Door Hgt.
	59157-3	Cable Drum - (Alum) L.H. (Curbside) 105" to 120" Dr. Hgt.
15	59290	Counterbalance Shaft
16	49702-1	Horizontal Track - L.H. (Curbside)
	49702-2	Horizontal Track - R.H. (Roadside)
17	80322-255	Lock Washer - 1/4" NC
18	80352-420	Hex Nut - 1/4" NC
19	80105-414	Hex Head Bolt - 1/4" NC x 1-3/4"
20	89100-2	Drive Rivet 3/16" Dia. X 15/32" LG.
	70001	Head Seal Assembly (Panel Mounted)
22	69790	Retainer - Head Seal (Panel Mounted)
23	69718	Head Seal (Panel Mounted)
24	70319	Warning Sticker - Counterbalance
25	69770	Head Seal Assembly (Header Mounted)
	61403	Retainer - Head Seal (Header Mounted)
27	61402	Head Seal (Header Mounted)
28	29013	Top Panel - ToughShell No Hardware
	29017	Top Panel - Aluminum Covered No Hardware

Item	Part No.	Description
29	29014	Intermediate Panel - ToughShell Coated - No Hardware
	29018	Intermediate Panel - Aluminum Covered - No Hardware
30	29016**	Bottom Panel - ToughShell Coated
	29020**	Bottom Panel - Aluminum Covered
31	51044	Cable Assembly - 110" LG. - to 100" Door Height
	59004	Cable Assembly - 115" LG. 100" to 105" Door Height
32	59003	Cable Assembly - 130" LG. 105" to 120" Door Height
	61390	Side Seal - Pair
33	89210-0032	Rivet - 1" LG.
34	61401	Lift Handle
35	69832	Pull Strap Retainer
36	80844-1408	Pull Strap - 30" Straight Standard (44" LG.)
37	69572	Keeper Assembly
38	69571	Maximum Security Lock Assembly - Standard
	70223	Maximum Security Lock Assembly - Offset Lever Arm
39	89210-0036	Rivet - 1-1/8" LG.
40	70093	Catch Box
41	89210-0044	Rivet - 1-3/8" LG.
42	70318	Warning Sticker - Safety Notice
43	69793	Name Plate
44	80401-316	Cotter Pin - 3/32" Dia.
45	61204	Cable Anchor Bracket
46	61026	Cable Anchor Pin
47	80840	Bottom Seal
48	61191	Bottom Angle
49	61352	Bottom Fixture
50	61174	Roller
51	80020	Spacer Washer-Roller
52	80015-0040	Step Bolt - 1/4" NC x 1-1/4"
53	69035	End Hinge
54	61196	Center Hinge
55	69432	Base - Adjustable Top Fixture
56	69431	Slide - Adjustable Top Fixture
57	80302-2436	Flatwasher - 3/8"
58	89049	E-Lok Bolt - 3/8" NC
59	59092	Filler Plug - 2-1/2" I.D. Spring
60	89100-1	Drive Rivet - 3/16" Dia. x 9/32" LG.

\* See counterbalance instructions at the right.

\*\* Includes bottom seal, bottom fixtures & bottom angle, drilled for lock. Does not include lock, pull strap, lift handle or cable anchor brackets.

Note: Add .05 to end of part number for e-coated part.

## MAINTENANCE GUIDE

Lubricate with TODCO FG Lube all roller bearings and stems, (lubricate bottom roller stem through holes in bottom fixture), counterbalance bearings, center and end hinges, and moving lock parts.



Wipe dirt from tracks.

Spray horizontal tracks with TODCO FG Lube or light oil (never grease). Spray counterbalance with TODCO FG Lube to

prevent rusting. REFER TO SAFETY INSTRUCTIONS STICKER ON DOOR AND OWNER'S MANUAL FOR OPTIONS AND FOR OTHER IMPORTANT SAFETY AND MAINTENANCE ITEMS.



## COUNTERBALANCE ASSEMBLIES

Every TODCO counterbalance assembly has been manufactured to meet a custom door specification. TO HELP ENSURE THAT YOU RECEIVE THE CORRECT REPLACEMENT PART OR ASSEMBLY, PLEASE PROVIDE THE DOOR SERIAL NUMBER. This can be found on the metal tag attached to the inside upper right-hand corner of the door.

If the serial number is unavailable, we must have the following information:

- 1) Inside diameter (I.D.) of the torsion spring.
- 2) Length of the torsion spring.
- 3) Number of coils within 10 inches of the torsion spring.
- 4) Length of the shaft.
- 5) Part number on each of the two (2) cable drums.



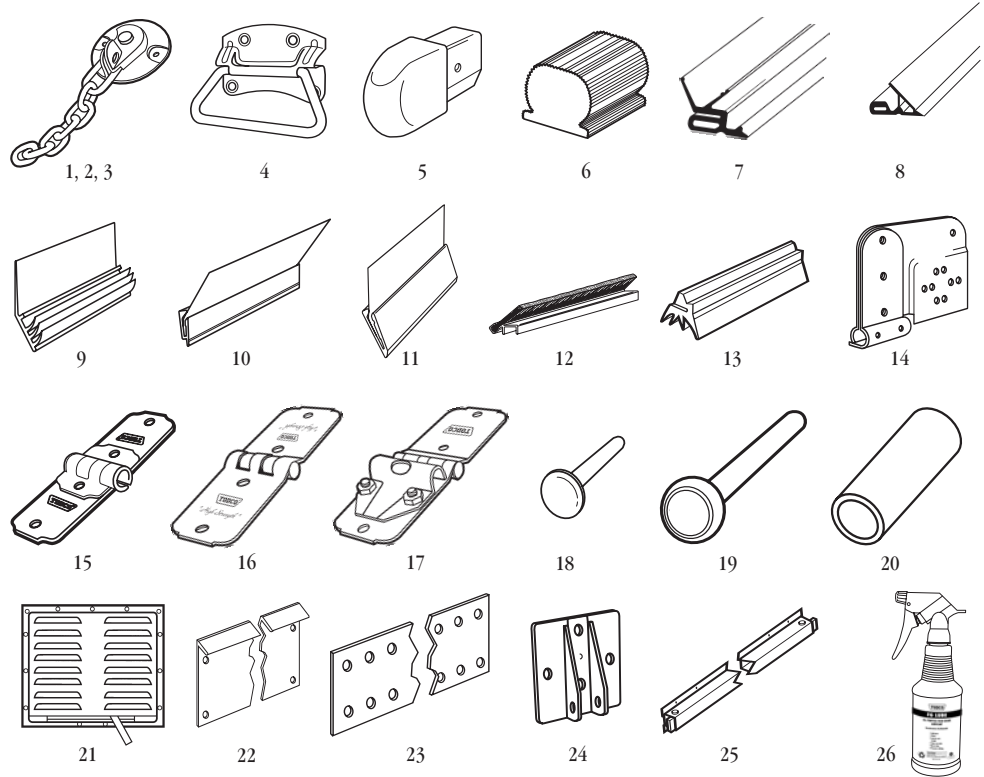
# DRYFREIGHT ACCESSORY PARTS

## ORDERING INSTRUCTIONS

When ordering parts, be sure to include the part name and number and your door's SERIAL NUMBER. See metal tag attached to the inside upper right-hand corner of the door (standing inside unit facing the door).



Orders for replacement door panels should specify whether top, intermediate or bottom panel is required (panel width, height and thickness dimensions should be indicated).



For new orders and order inquiries:

call: (740) 383-6376

fax: 1-800-24-TODCO  
(800-248-6326)



1332 Fairground Road East  
Marion, Ohio 43302  
(740) 383-6376

**NOT JUST TOUGH...TODCO-TOUGH**

www.todco.com

Item	Part No.	Description	Item	Part No.	Description
1	61223	Back Plate - Safety Chain	16	70238	Center Hinge - High Strength
2	61229	Safety Chain		70434	Center Hinge - Stainless Steel
3	69020	Safety Chain Lock Assembly	17	70311	End Hinge - Removable Roller
4	69325	Drop Lift Handle	18	89291-0032	Rivet - 1" Stainless Steel
5	69353	Head Protector (Yellow)		89291-0036	Rivet - 1-1/8" Stainless Steel
6	61398	Bumper Stop (Black)		89291-0040	Rivet - 1-1/4" Stainless Steel
7	70131	Side Seal - Dual Lip		89291-0042	Rivet - 1-5/16" Stainless Steel
8	69840	Side Seal - Extended Lip		89291-0044	Rivet - 1- 3/8" Stainless Steel
9	70338	Side Seal Assembly - Push in (1/2" Track Spacing)		89291-0048	Rivet - 1-1/2" Stainless Steel
10	69922	Side Seal Assembly	19	69162	Roller - 1" Sealed
11	70105	Side Seal Assembly Secondary		70305	Roller - 1" Sealed (Precision Machined)
12	70232	Side Seal Assembly - 1" Brush	20	51078	Spring Silencer Boot
	70313	Side Seal Assembly - 1-1/2" Brush	21	69085	Polar Vent - Aluminum
13	89204	Bottom Seal - Heavy Duty (3/4" Door)	22	70306-0512	Forklift Plate - Aluminum (16" Long)
14	69964-1	Bottom Fixture Assembly H.D./L.H. (Curbside)		70306-1152	Forklift Plate - Aluminum (36" Long)
	69964-2	Bottom Fixture Assembly H.D./R.H. (Roadside)	23	69111	Reinforcement Strap
15	70236	End Hinge - High Strength	24	59193	Heavy Duty Cable Anchor Bracket
	70435	End Hinge - Stainless Steel	25	39582	Load Bar
			26	3900-1012	TODCO FG Lube (case)

TODCO reserves the right to change product specifications at any time without notice.

08/11