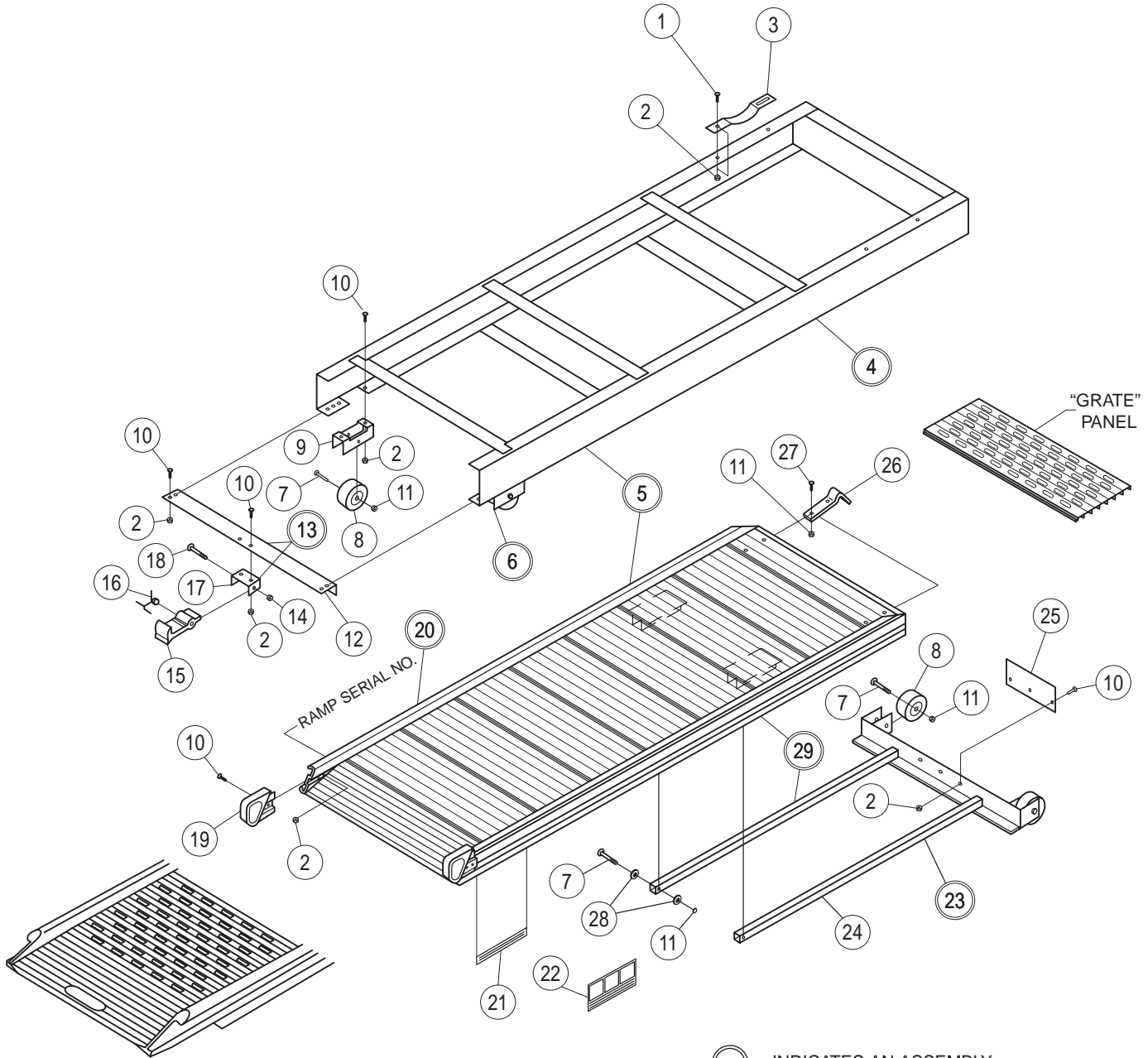




ROLLARAMP®



OPTIONAL HORIZONTAL
"BLUNT" NOSE DESIGN

○ = INDICATES AN ASSEMBLY



ROLLARAMP® SPRING ASSIST

ORDERING INSTRUCTIONS

When ordering parts, be sure to include the part name and number and your ramp's SERIAL NUMBER. See metal tag attached to the left side rail, close to the handles.

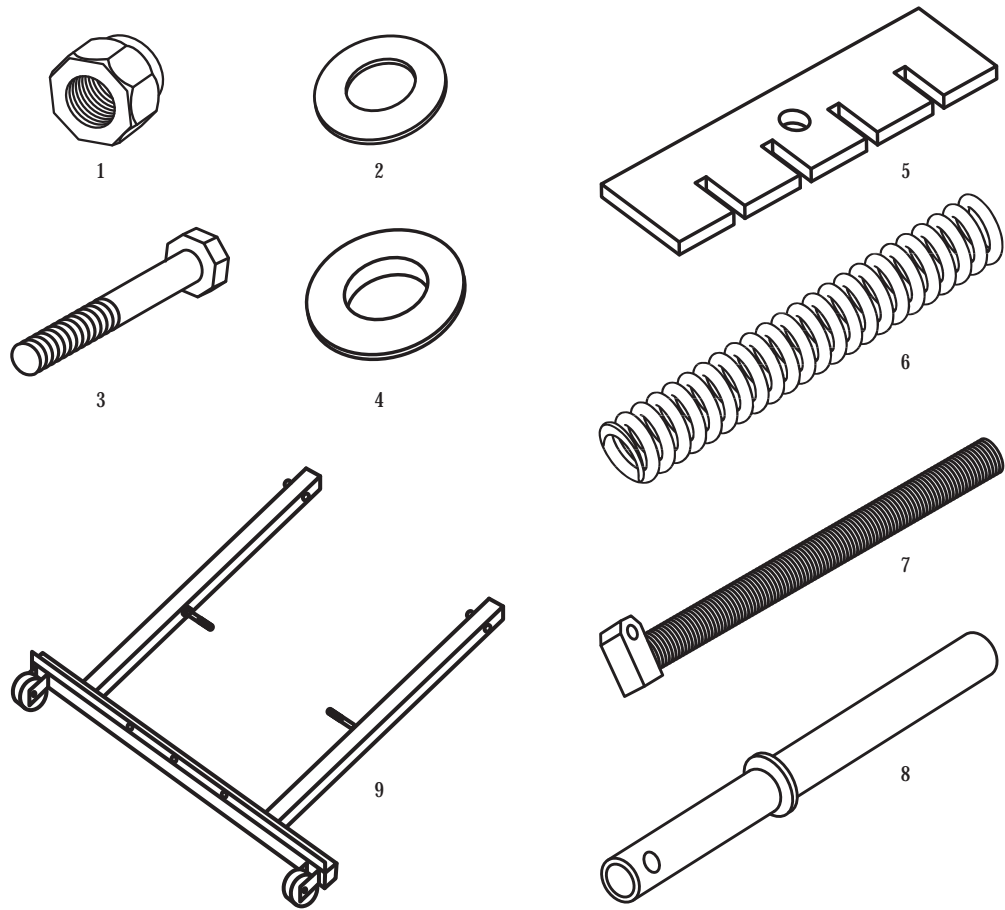


Please order from the TODCO plant nearest you:

Marion, Ohio 43302
1332 Fairground Road East
(740) 383-6376

Fresno, California 93725
4771 East Date Avenue
(559) 485-9830

For new orders and order inquiries, fax 1-800-24-TODCO (800-248-6326).



	39485	39501		
Item	Qty.	Qty.	Part No.	Description
1	2	2	89042-3	Lock Nut - 3/8" NC
	2	2	89042-6	Lock Nut - 1/2" NC
	2	2	89042-7	Lock Nut - 5/8" NC
2	4	4	80302-3244	Flat Washer - 1/2" ID
3	2	2	89158-1	Hex Head Bolt - 1/2" NC X 2-1/2"
	2	2	80105-620	Hex Head Bolt - 3/8" NC X 2-1/2"
4	2	2	39480	Spring Alignment Collar
5	4	4	39483-3	Spring Mounting Plate - 6" Long
6	2	-	39475	Spring - 12" Long
	-	2	39502	Spring - 16" Long
7	2	2	39479	Threaded Rod Weldment - 15" Long
8	2	-	39481	Spring Guide Tube (Use with 12" Spring)
	-	2	39503	Spring Guide Tube (Use with 16" Spring)
9	-	-	39482	Undercarriage Assembly - Spring Assist

* NOTE: Use 39501 if top of sill is 14" to 20" above top of walkramp frame.

NOT JUST TOUGH...TODCO-TOUGH.

www.todco.com

TODCO reserves the right to change product specifications at any time without notice.

STANDARD PARTS LIST

Item	Part No.	Description
1	89218-1	Button Head Cap Screw - 1/4" NC X 1/2"
2	89042-2	Lock Nut - 1/4" NC
3	39176	Anti-Bounce Spring
4	39288-1 *	8' Frame Assembly
	39289-1 *	10' Frame Assembly
	39290-1 *	12' Frame Assembly
	39291-1 *	14' Frame Assembly
	39292-1 *	16' Frame Assembly
5	39251-3072 **	8' Rollaramp with Frame Assembly (Complete)
	39251-3840 **	10' Rollaramp with Frame Assembly (Complete)
	39251-4608 **	12' Rollaramp with Frame Assembly (Complete)
	39251-5375 **	14' Rollaramp with Frame Assembly (Complete)
	39251-6144 **	16' Rollaramp with Frame Assembly (Complete)
	39330-3072 **	8' "Grate" Rollaramp with Frame Assembly (Complete)
	39330-3840 **	10' "Grate" Rollaramp with Frame Assembly (Complete)
	39330-4608 **	12' "Grate" Rollaramp with Frame Assembly (Complete)
	39330-5375 **	14' "Grate" Rollaramp with Frame Assembly (Complete)
	39330-6144 **	16' "Grate" Rollaramp with Frame Assembly (Complete)
6	39204	Wheel Bracket Assembly
7	80105-620	Hex Head Bolt - 3/8" NC X 2-1/2"
8	39171-0000	Wheel & Spacer
9	39185	Wheel Bracket
10	89218-2	Button Head Cap Screw - 1/4" NC X 3/4"
11	89042-3	Lock Nut - 3/8" NC
12	39196	Latch Angle
13	39205	Latch Angle Assembly
14	89042-1	Lock Nut - 5/16" NC
15	39180	Latch
16	39411	Latch Spring
17	39412	Latch Bracket
18	89219-1000	Shoulder Bolt - 3/8" NC X 3"
19	39504-1	Handle - Left Hand
	39504-2	Handle - Right Hand
20	39253-3072	8' Rollaramp with Hooks (No Undercarriage)
	39253-3840	10' Rollaramp with Hooks (No Undercarriage)
	39253-4608	12' Rollaramp with Hooks (No Undercarriage)
	39253-5375	14' Rollaramp with Hooks (No Undercarriage)

Item	Part No.	Description
	39253-6144	16' Rollaramp with Hooks (No Undercarriage)
	39342-0000	8' "Grate" Rollaramp with Hooks (No Undercarriage)
	39343-0000	10' "Grate" Rollaramp with Hooks (No Undercarriage)
	39344-0000	12' "Grate" Rollaramp with Hooks (No Undercarriage)
	39345-0000	14' "Grate" Rollaramp with Hooks (No Undercarriage)
	39346-0000	16' "Grate" Rollaramp with Hooks (No Undercarriage)
21	39525	Side Rail Sticker
22	39341	Operating Procedures Sticker
23	39200	Undercarriage Assembly
24	39206	Undercarriage Weldment (Only)
25	39187	Stop Plate
26	39542	Hook
27	89218-3	Button Head Cap Screw - 3/8" NC X 1-3/4"
28	80302-2436	Flat Washer - 3/8"
29	39252-3072	8' Rollaramp with Undercarriage (No Frame)
	39252-3840	10' Rollaramp with Undercarriage (No Frame)
	39252-4608	12' Rollaramp with Undercarriage (No Frame)
	39252-5375	14' Rollaramp with Undercarriage (No Frame)
	39252-6144	16' Rollaramp with Undercarriage (No Frame)
	39331-3072	8' "Grate" Rollaramp with Undercarriage (No Frame)
	39331-3840	10' "Grate" Rollaramp with Undercarriage (No Frame)
	39331-4608	12' "Grate" Rollaramp with Undercarriage (No Frame)
	39331-5375	14' "Grate" Rollaramp with Undercarriage (No Frame)
	39331-6144	16' "Grate" Rollaramp with Undercarriage (No Frame)

* Frame Assembly includes Frame Weldment, Wheel Bracket Assembly, Latch Angle Assembly, Anti-Bounce Springs and Fasteners.

** Includes Ramp with Hooks (#39253), Undercarriage Assembly (#39200) and Frame Assembly.

When ordering parts, be sure to give ramp serial number, part number, and description. Ramp serial number can be found on a metal tag attached to outside of roadside ramp rail.



SPRING ASSIST

Your drivers may pull and lift their walk ramps dozens of times a day, and that can mean serious driver fatigue. That's why we were the first to develop the patented Spring Assist™ system for our Rollaramp® walk ramps. With the Spring Assist system, drivers can easily lift ramps to bed height – making light work of walk ramps.

The unique construction of extruded aluminum with interlocking panels makes Spring Assist heavy duty and TODCO tough. It gives you a lightweight walk ramp with heavyweight strength and durability.

The Spring Assist system is easy to retrofit to existing Rollaramp walk ramps. Contact TODCO for more information and instructions. See back side for details.